

Horizontal Wind Turbines MS-EW200



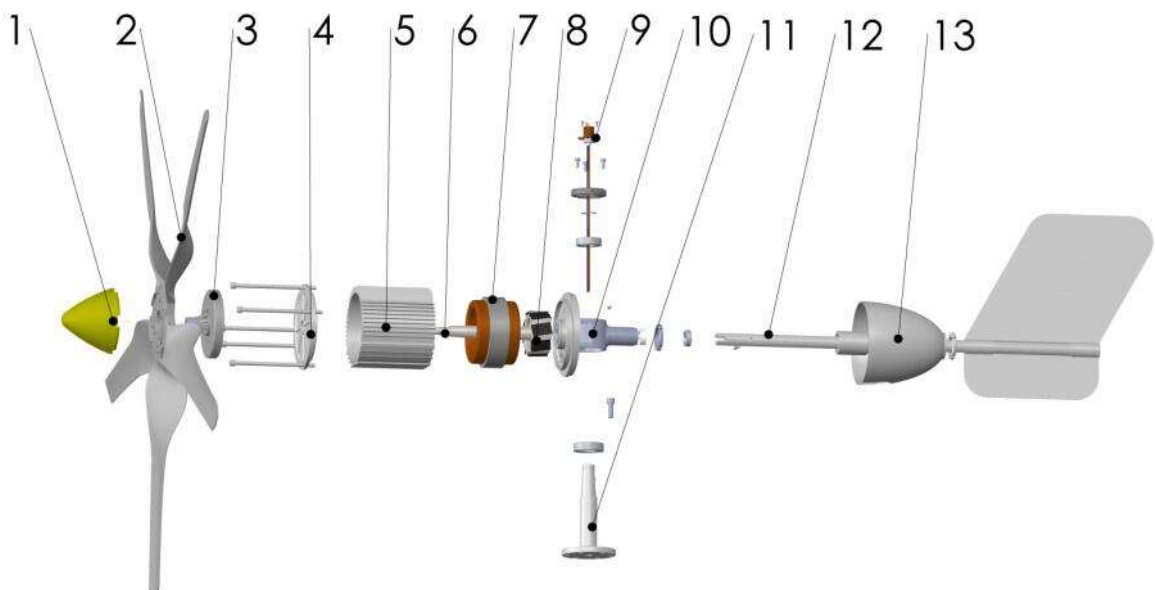
1. Technical Parameter

Model	MS-EW200
Rated power(W)	200
Rated voltage(V)	12/24
Rated current (A)	16/8.3
Rotor diameter(m)	1.1
Start-up wind speed (m/s)	2.5
Rated wind speed(m/s)	12
Survival wind speed(m/s)	45
Rotating direction	Clockwise
Blade NO.(piece)	5
Blade material	nylon
Tower height (m)	6
Packing size(mm)	1470*470*230
Net weight(KG)	18

2. Power curve



3. Structure



No.⊃	Description⊃	No.⊃	Description⊃
1⊃	Nose cone⊃	7⊃	Rotor⊃
2⊃	Blades⊃	8⊃	Slip ring⊃
3⊃	Hub⊃	9⊃	Back cover⊃
4⊃	Front cover⊃	10⊃	Flange⊃
5⊃	Generator case⊃	11⊃	Tail vane⊃
6⊃	Stator ⊃	12⊃	Back nose cone⊃

4. Flang Drawing

