

300W Horizontal Wind Turbines MS-M300



1. Technical Parameter:

Model: M300

Rated Voltage(DCV): 12/24

Rated output(W): 90

Start-up wind speed(m/s): 1

Survival wind speed(m/s): 35

Rotor diameter(m): 0.82

Blades No.(pcs): 6

Blade material: Reinforced fiber glass

Nacelle material: Aluminum

Controller: Built-in

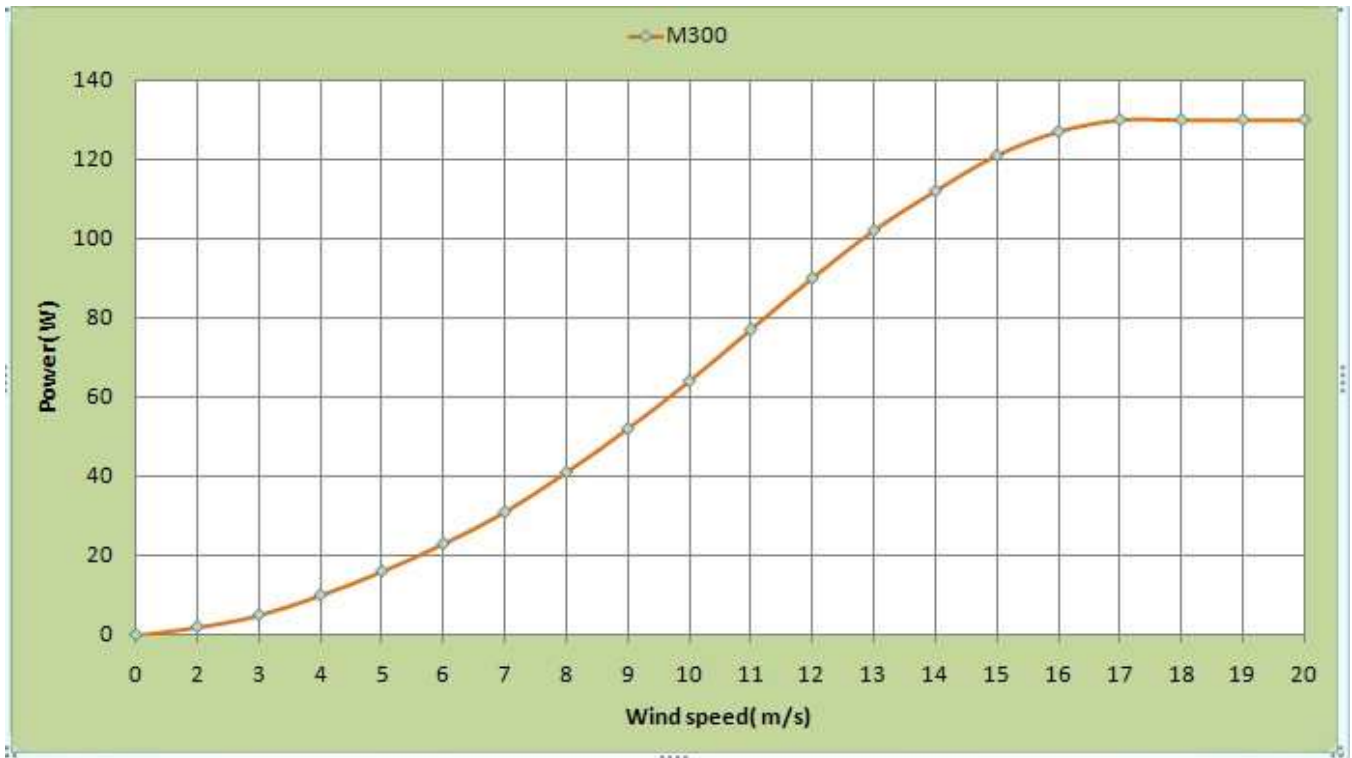
Protection mode: Short circuit

Lifetime(years): 25

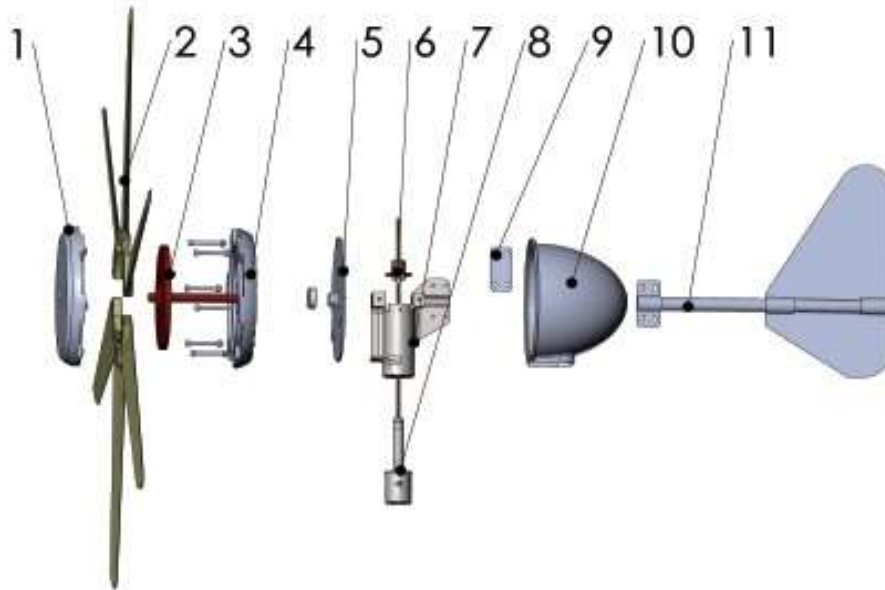
Packing form: carton

Protection grade: IP65

2. Power Curve:



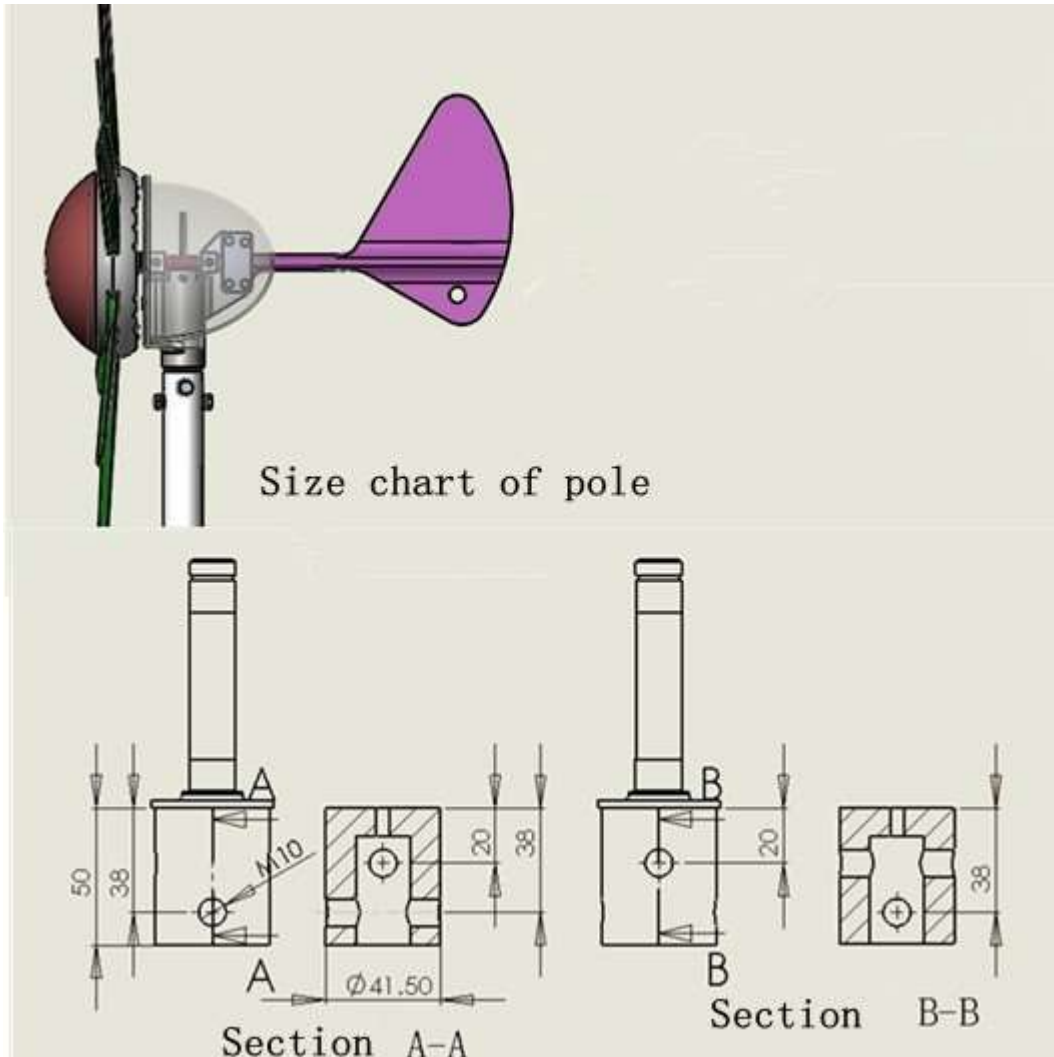
3. Structure:



序号No.	项目Items	序号No.	项目Items
1	磁盘前盖 front cover	2	风叶 blades
3	定子 stator	4	磁盘后盖 back cover
5	夹板 clamp plate	6	集电环 slip ring
7	回转体 swing mechanism	8	小立杆 swing axis
9	压片 pressing plate	10	后风帽 back nose cone
11	尾舵 tail vane		

4. Special note:

Connection diagram between wind generator and pole



- 1.Connects mall pole and pipe(48*2.5mm diameter).
- 2.Drill 2pcs of symmetrical screw holes(12mm diameter) above a distance of 20mm at the upper end of pipe.
- 3.Clockwise 90° in the hole above the distance of 20mm, and drill2pcs of symmetrical screw holes(12mmdiameter) above a distance of 38mm at the upper end of pipe.
- 4.Fasten the pipe between wind generator and tower with 4pcs screws(M10).

Note: The joints between wind generator and pole need a torque of 80nm. Fix with locking grain rubber in suitable condition.