

## 100w solar street light---Single Lamp



Suitable for: Central Africa, Uzbekistan, Uganda etc....

Main Parts	Specification
1) Poly Solar panel	260W*2
2) LED light	100W/24V
3) Lead-acid battery	120AH/12V*2
4) Controller	20A/24V
5) Pole & lamp arm & bracket of solar panel & battery box, Underground fittings, wires and nuts	12.0 m

Special Notes and Instructions

Minimum order quantity: 1sets

Delivery time: within 15 working days after received the deposit.

Working time: 11hours/day, can keep 0 rainy days



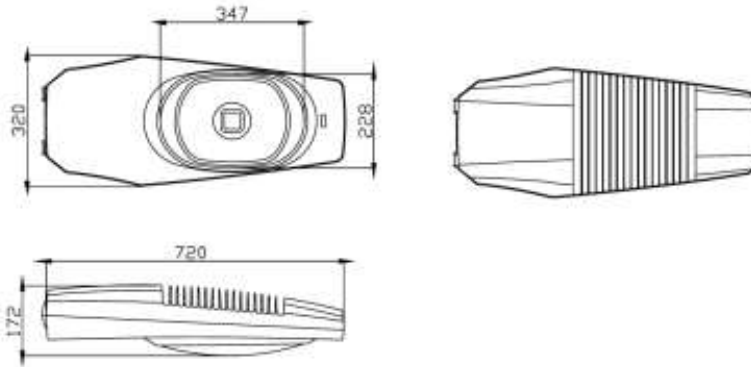
Macsun Solar Controller 6 Min Installation Mobile App Control system

**Solar LED Street Lamp-100W:**



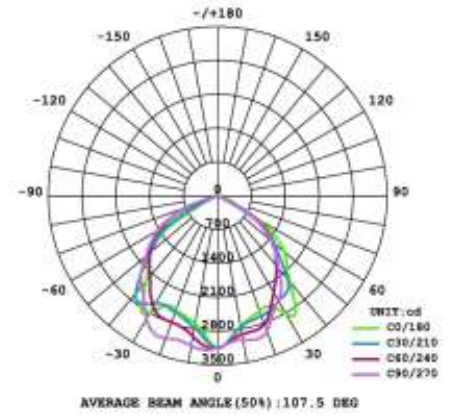
MODEL	MS-SL100
LED power	100W
Working Voltage	DC24V
Power efficiency	>0.9
Power factor	>0.98
LED luminous efficacy of light source	100lm/W
Lamp efficiency	>90%
Ra-color rendering index	Ra>80
CCT-correlated color temperature	2700K~7000K
Working condition	-40℃~55℃
Protection grade	IP65
Lifespan	>50000H
Weight	9.56KG
Outline size	720x320x172mm

▶ **Product Dimension**

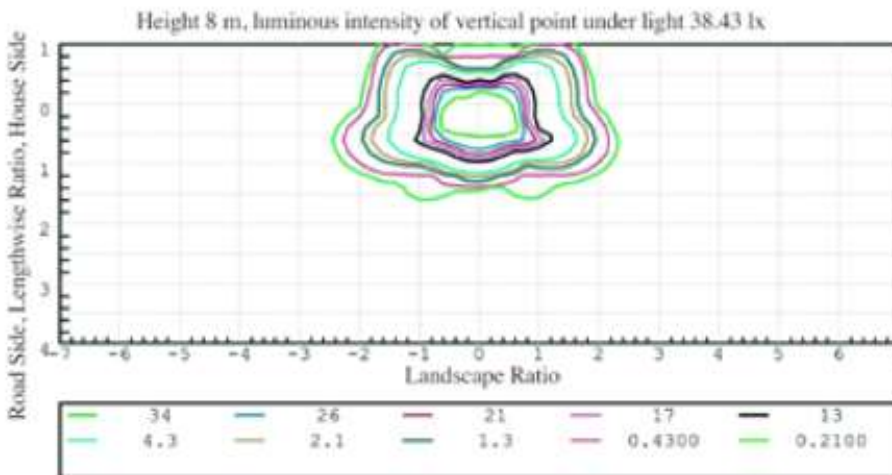


▶ **Light Distribution Curve**

720LD



▶ **Horizontal Absolute Illumination Curve**



720LD (D)

