

120w solar street light---Single Lamp



Product Description: MS-SL120

1. Solar module power: 480Wp
2. Working voltage: 36VDC
3. Storage battery: Highly reliable and maintenance free lead-acid battery, capacity 420AH
4. Light source: 120W LED lamp , 120W on ground brightness 25lux
5. Control system: Solar light special micro computer intelligent controller
6. Working temper: -30 to 70 degrees
7. Lighting time: 10 hours a day
8. Pole height: 11m
9. Continuously rainy: More than 7 days
10. Solar panel life panel: 25 years
11. LED lamps life spam: 50, 000 Hrs



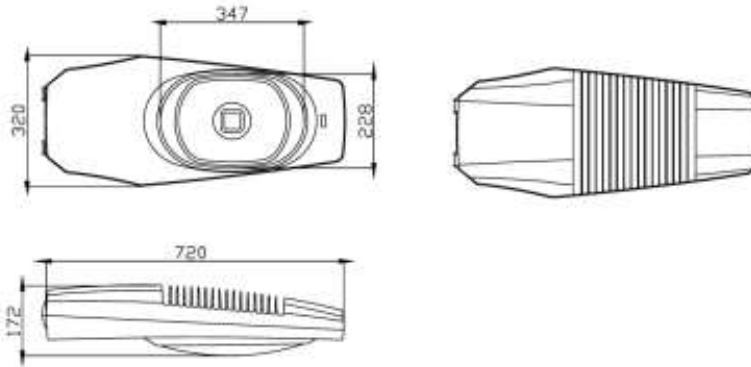
Macsun Solar Controller 6 Min Installation Mobile App Control system

Solar LED Street Lamp-120W:



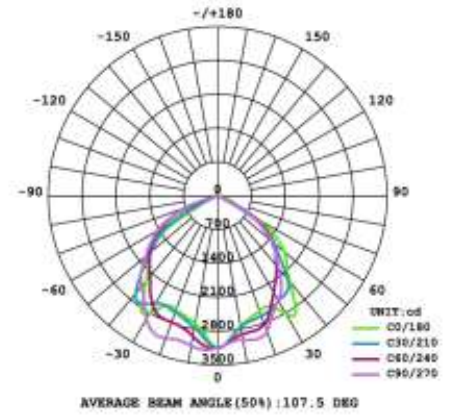
MODEL	MS-SL120
LED power	120W
Working Voltage	DC24V
Power efficiency	>0.9
Power factor	>0.98
LED luminous efficacy of light source	100lm/W
Lamp efficiency	>90%
Ra-color rendering index	Ra>80
CCT-correlated color temperature	2700K~7000K
Working condition	-40℃~55℃
Protection grade	IP65
Lifespan	>50000H
Weight	9.56KG
Outline size	720x320x172mm

▶ **Product Dimension**

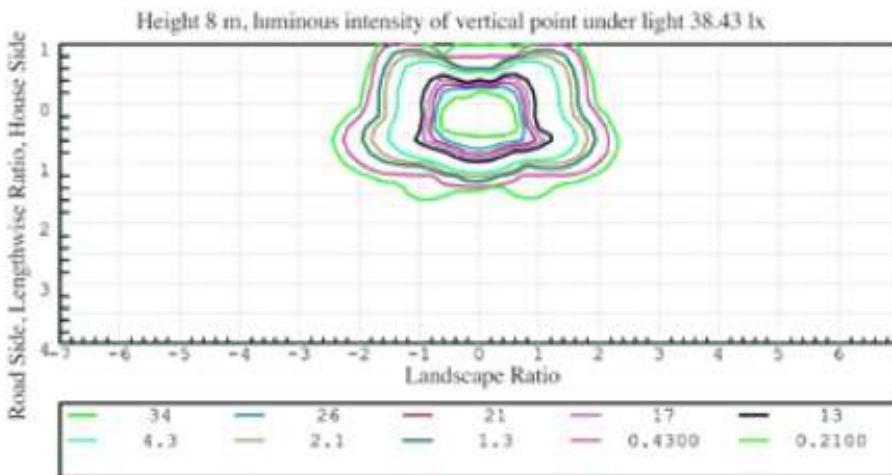


▶ **Light Distribution Curve**

720LD



▶ **Horizontal Absolute Illumination Curve**



720LD (D)

